



InGranite Recon Ltd.

Cast Stone | Modern Material | Classic Style

Cast Stone Window Sills

Contact

Phone:

Email:

Web:

UK

0808 2349 118

info@ingranite.co.uk

www.ingranite.co.uk

Rep. Irl.

057 9331 462

info@ingranite.ie

www.ingranite.ie





InGranite Recon Ltd.

Cast Stone | Modern Material | Classic Style

Cast Stone Window Sills

InGranite Recon manufactures a wide range of cast stone window sill profiles in beautiful and durable reconstituted granite. With plenty of profile designs and widths to choose from, you are sure to find just the right one for your build project.

A Word on Terminology

A number of our standard, ex-stock window sills are available in stooled or non stooled versions. Stooled window sills are particularly suited for use in walls with a brick outer leaf, where the stooled end sections present a level platform for the next course of brick-work.

Contact

Phone:

Email:

Web:

UK

0808 2349 118

info@ingranite.co.uk

www.ingranite.co.uk

Rep. Irl.

057 9331 462

info@ingranite.ie

www.ingranite.ie



InGranite Recon Ltd.

Reconstituted Stone | Modern Material | Classic Style

UK info@ingranite.co.uk

RoI info@ingranite.ie

www.ingranite.co.uk

www.ingranite.ie

0808 2349118

057 9331462

Technical specification sheet

Title: Standard/Superwarm 45° bay sills

Date: 19/02/2017

Ref: 45° bay sills

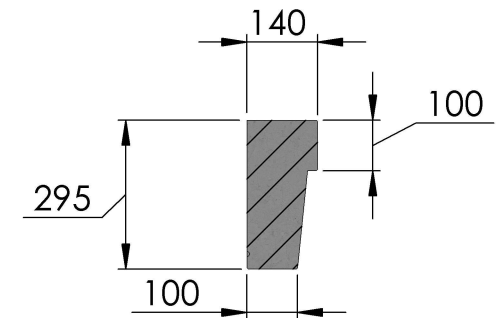
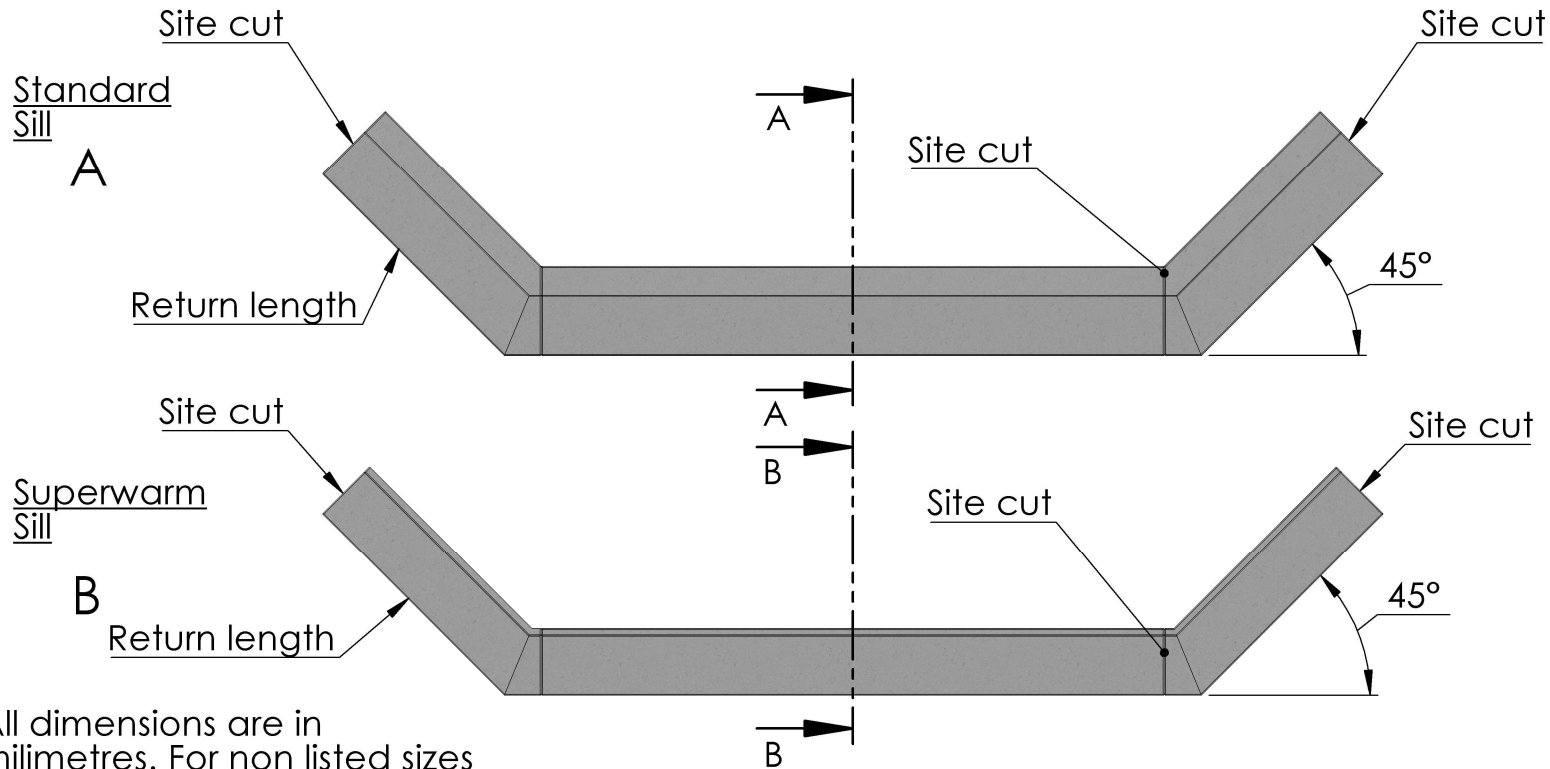
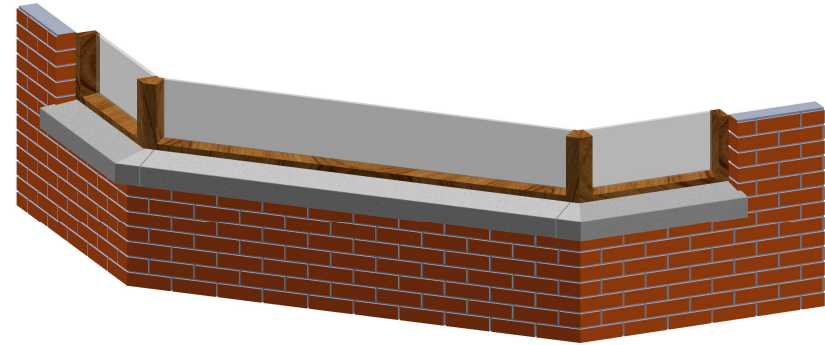
Scale: 1:15

Drawn by: InGranite

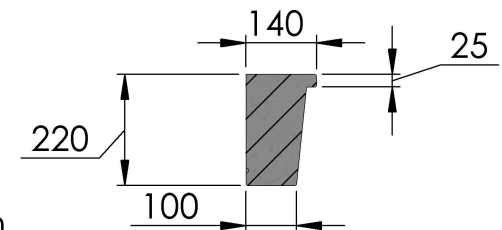
Approximate weight:

A= 85kgs/meter

B= 63.5kgs/meter



SECTION A-A
SCALE 1 : 15



SECTION B-B
SCALE 1 : 15

All dimensions are in millimetres. For non listed sizes please contact InGranite Recon LTD.

45° return lengths = 1500 max length

All vertical faces typically have a 4mm taper per 100mm of height.

The information contained in this drawing was correct at the time of going to print. Profiles, sizes and weights are given as indication only.



InGranite Recon Ltd.

Reconstituted Stone | Modern Material | Classic Style

UK info@ingranite.co.uk

RoI info@ingranite.ie

www.ingranite.co.uk

www.ingranite.ie

0808 2349118

057 9331462

Technical specification sheet

Title: Superwarm/Standard bay sill

Date: 16/02/2017

Ref: 90° bay sill

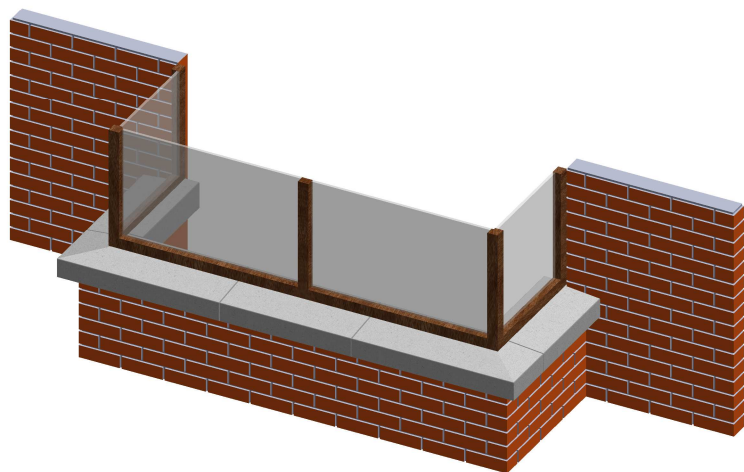
Scale: 1:15

Drawn by: InGranite

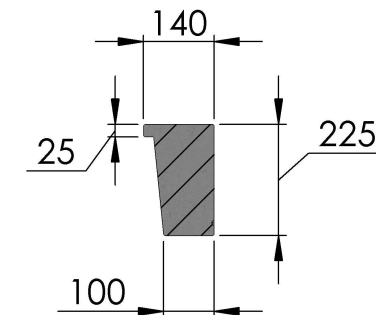
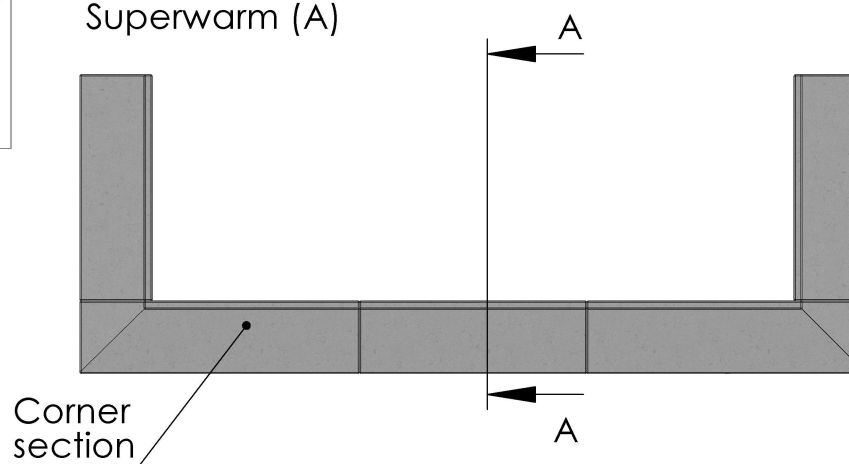
Approximate weight:

A= 63.5kgs/Meter

B= 85kgs/ Meter

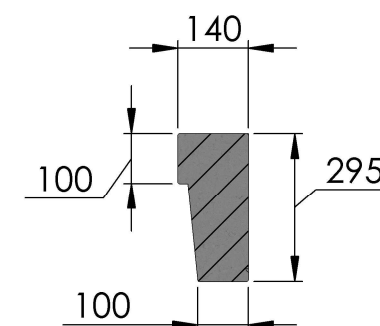
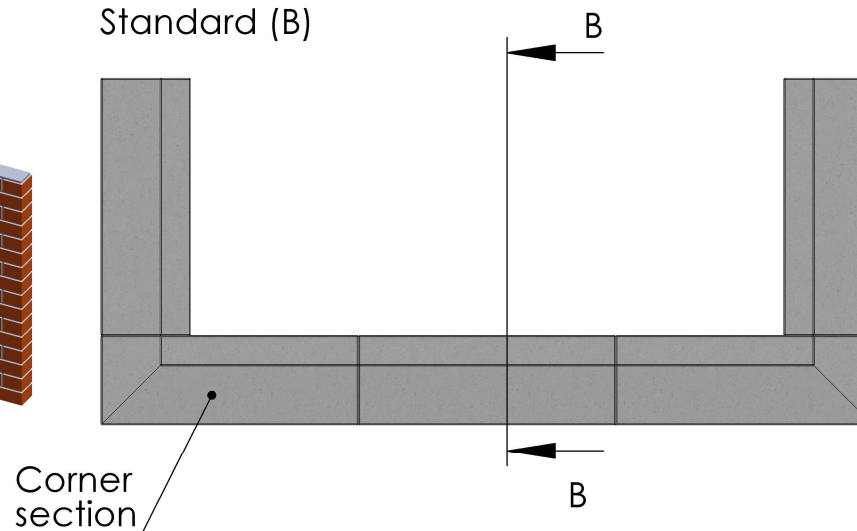


Superwarm (A)



SECTION A-A
SCALE 1 : 15

Standard (B)



SECTION B-B
SCALE 1 : 15

All dimensions are in millimetres. For non listed sizes please contact InGranite Recon LTD.

All vertical faces typically have a 4mm taper per 100mm of height.

The information contained in this drawing was correct at the time of going to print. Profiles, sizes and weights are given as indication only.

Corner section lengths= 2000 max length



InGranite Recon Ltd.

Reconstituted Stone | Modern Material | Classic Style

UK info@ingranite.co.uk

www.ingranite.co.uk

0808 2349118

RoI info@ingranite.ie

www.ingranite.ie

057 9331462

Technical specification sheet

Title: Wide non stooled sill

Date: 22/02/2017

Ref: SWN330/.....

Scale: 1:10

Drawn by: InGranite

Approximate weight: 95kgs/meter

Product code is SWN330/ + sill size

Open size	Sill size
347	552
460	665
572	777
685	890
797	1002
910	1115
1022	1227
1135	1340
1247	1452
1360	1565
1472	1677
1585	1790
1697	1902
1810	2015
1922	2127
2035	2240

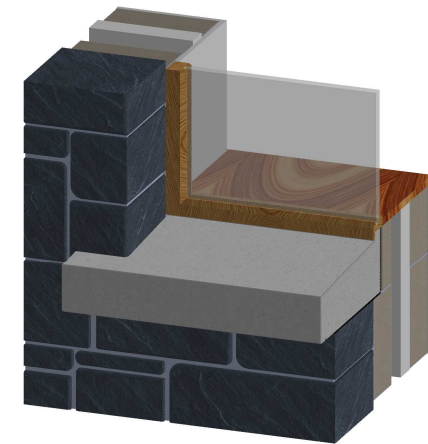
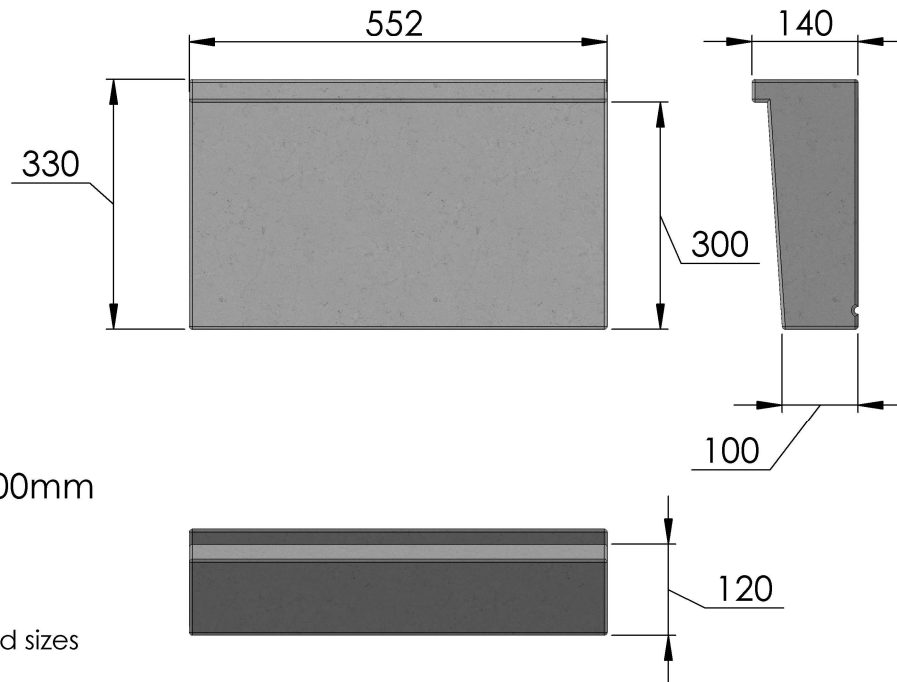
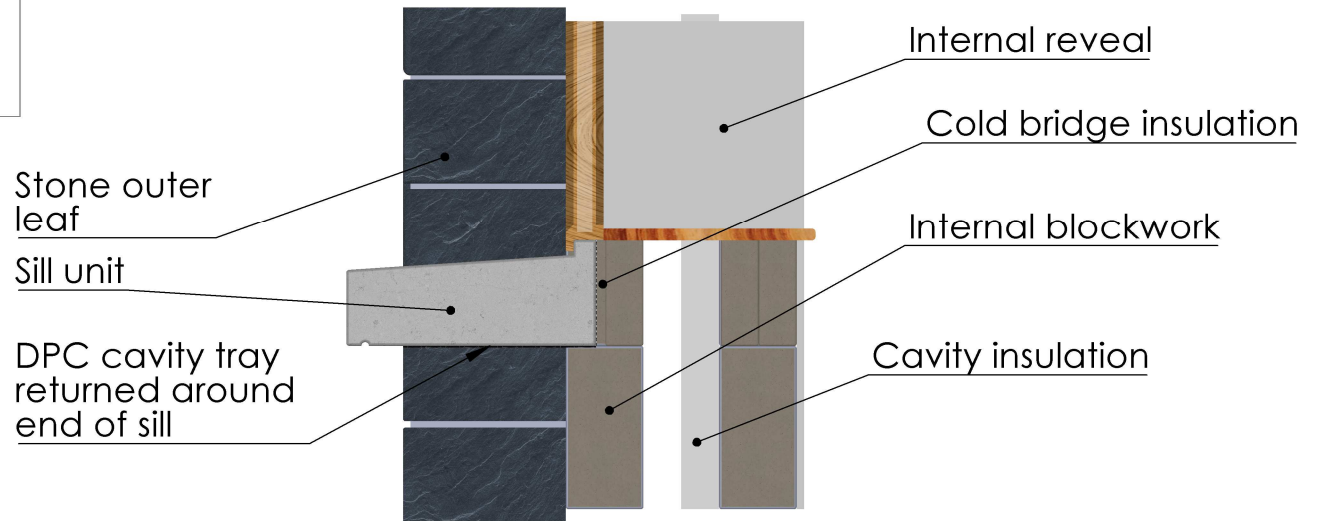
135° / 90° corners available @ 500mm lengths from the corner apex

All dimensions are in millimetres. For non listed sizes please contact

InGranite Recon LTD.

All vertical faces typically have a 4mm taper per 100mm of height.

The information contained in this drawing was correct at the time of going to print. Profiles, sizes and weights are given as indication only.





InGranite Recon Ltd.

Reconstituted Stone | Modern Material | Classic Style

UK info@ingranite.co.uk

www.ingranite.co.uk

0808 2349118

RoI info@ingranite.ie

www.ingranite.ie

057 9331462

Technical specification sheet

Title: Wide non stooled 430 sill

Date: 22/02/2017

Ref: SWN430/....

Scale: 1:10

Drawn by: InGranite

Approximate weight: 134kgs/meter

Product code is SWN430/ + sill size

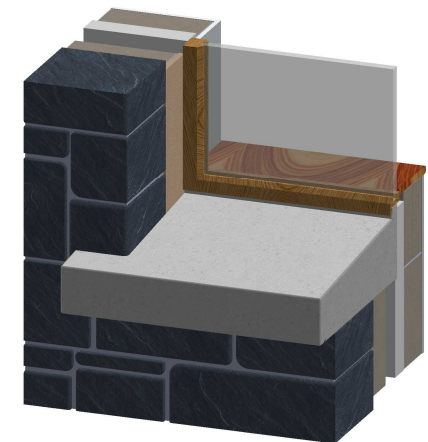
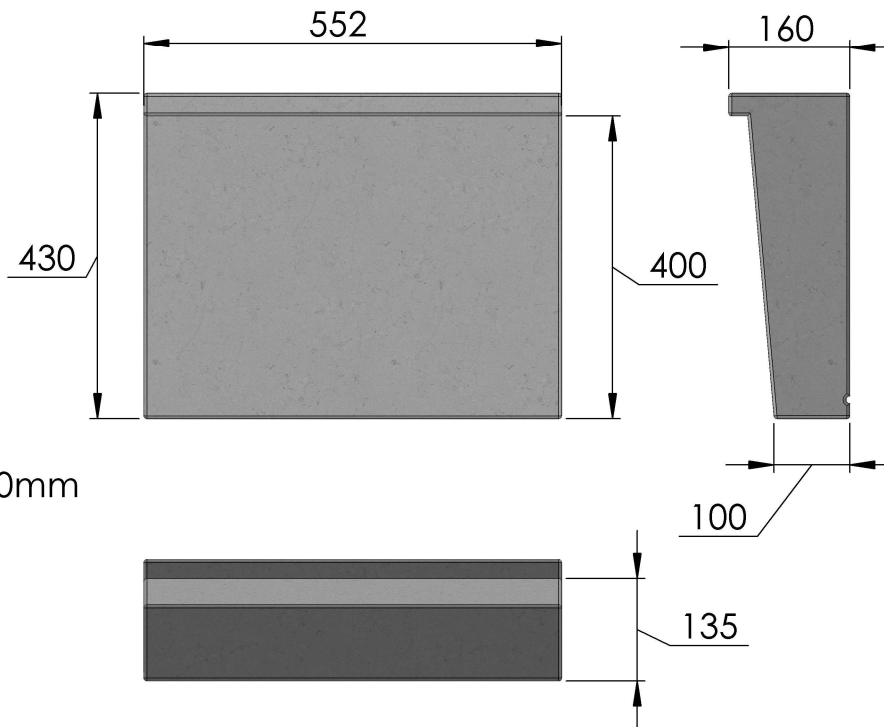
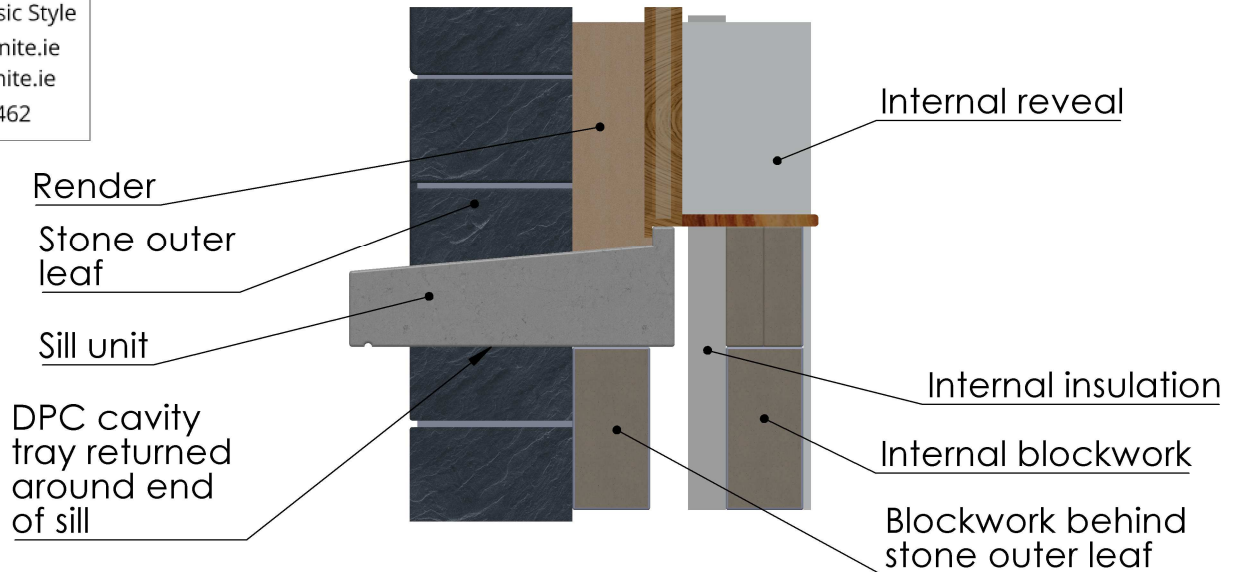
Open size	Sill size
460	665
572	777
685	890
797	1002
910	1115
1022	1227
1135	1340
1247	1452
1360	1565
1472	1677
1585	1790
1697	1902

135° / 90° corners available @ 500mm lengths from the corner apex

All dimensions are in millimetres. For non listed sizes please contact InGranite Recon LTD.

All vertical faces typically have a 4mm taper per 100mm of height.

The information contained in this drawing was correct at the time of going to print. Profiles, sizes and weights are given as indication only.





InGranite Recon Ltd.

Reconstituted Stone | Modern Material | Classic Style

UK info@ingranite.co.uk

www.ingranite.co.uk

0808 2349118

RoI info@ingranite.ie

www.ingranite.ie

057 9331462

Technical specification sheet

Title: Standard non stooled sill

Date: 22/02/2017

Ref: SDN....

Scale: 1:10

Drawn by: InGranite

Approximate weight: 85kgs/meter

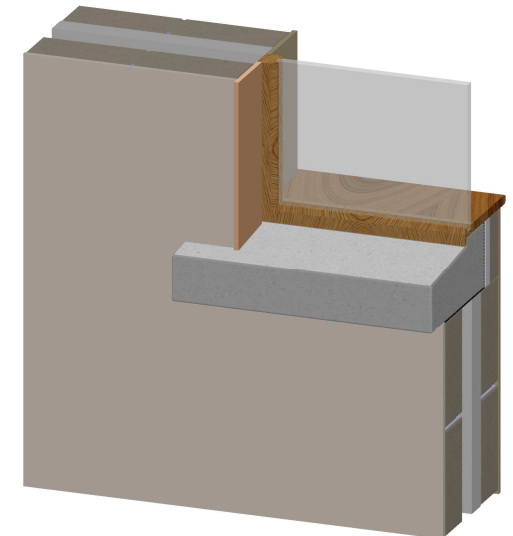
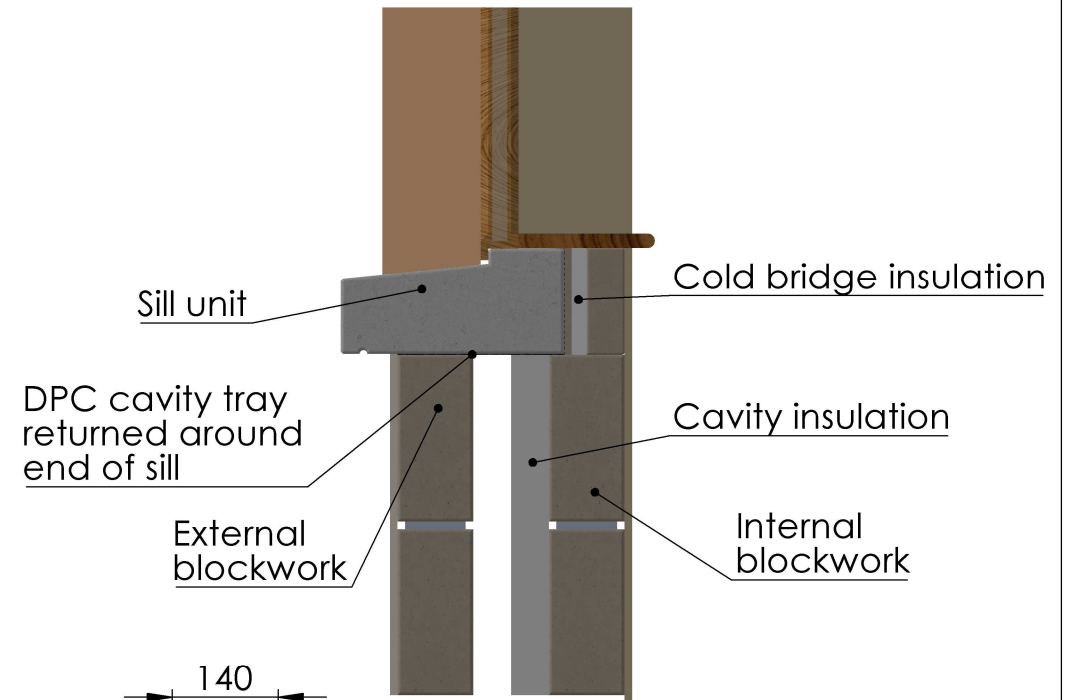
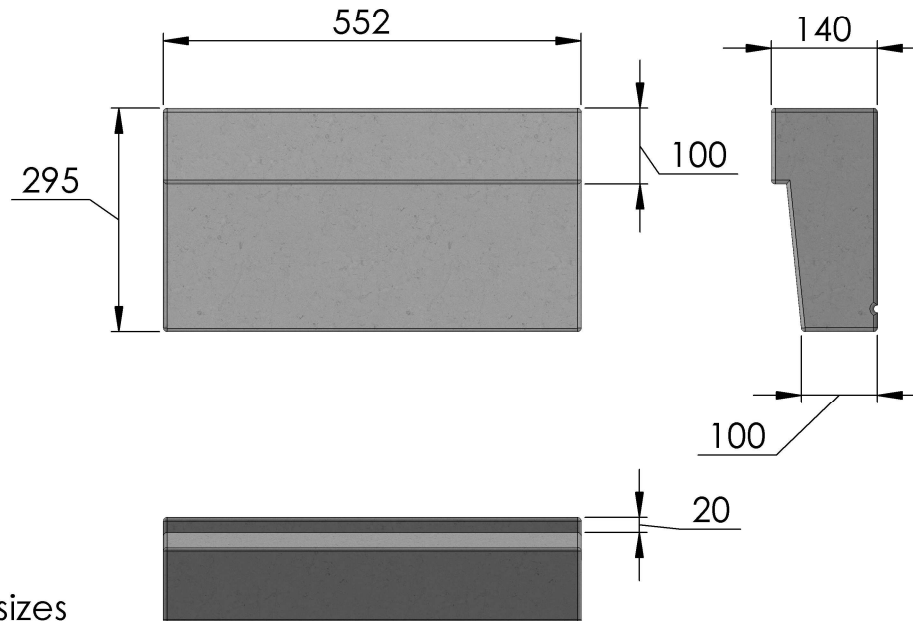
Product reference code is SDN + sill size

Open size	Sill size
347	552
460	665
572	777
685	890
797	1002
910	1115
1022	1227
1135	1340
1247	1452
1360	1565
1472	1677
1585	1790
1697	1902
1810	2015
1922	2127
2035	2240
2142	2352
2260	2465
2372	2578
2485	2690

All dimensions are in millimetres. For non listed sizes please contact InGranite Recon LTD.

All vertical faces typically have a 4mm taper per 100mm of height.

The information contained in this drawing was correct at the time of going to print. Profiles, sizes and weights are given as indication only.





InGranite Recon Ltd.

Reconstituted Stone | Modern Material | Classic Style

UK info@ingranite.co.uk

www.ingranite.co.uk

0808 2349118

RoI info@ingranite.ie

www.ingranite.ie

057 9331462

Technical specification sheet

Title: Standard stooled sill

Date: 04/02/2017

Ref: SDS....

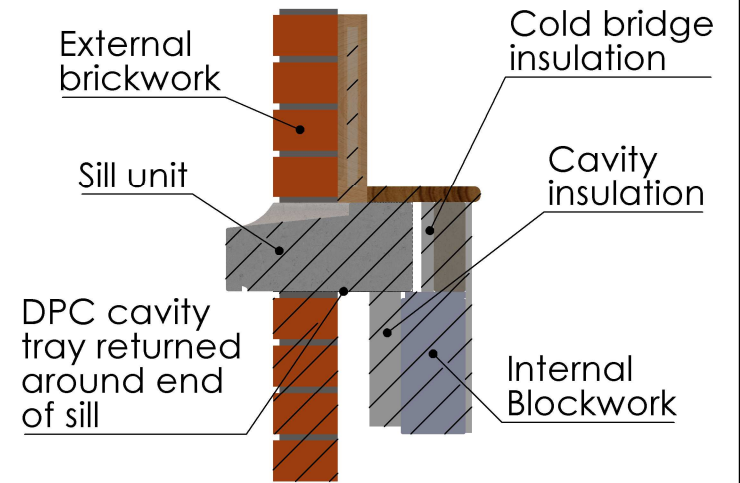
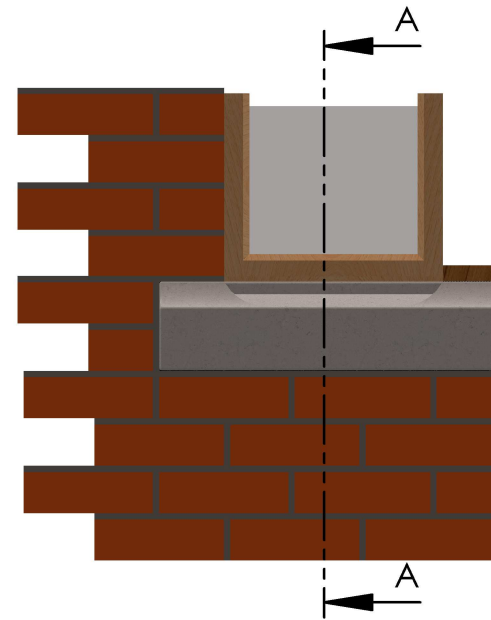
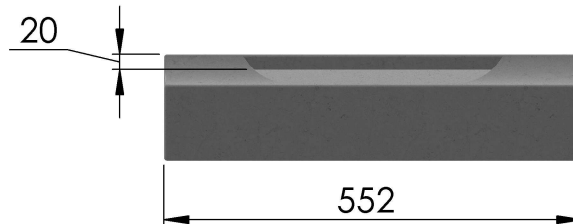
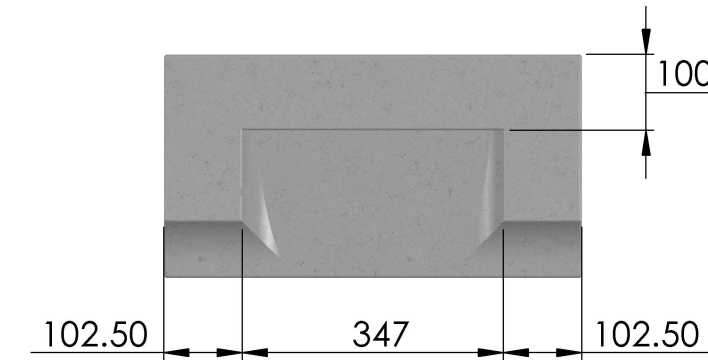
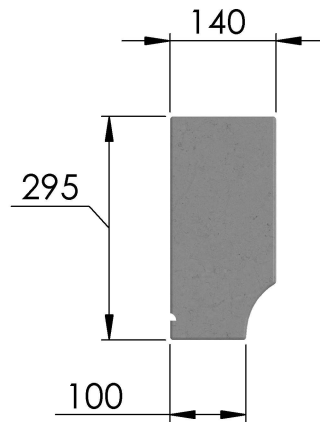
Scale: 1:10

Drawn by: InGranite

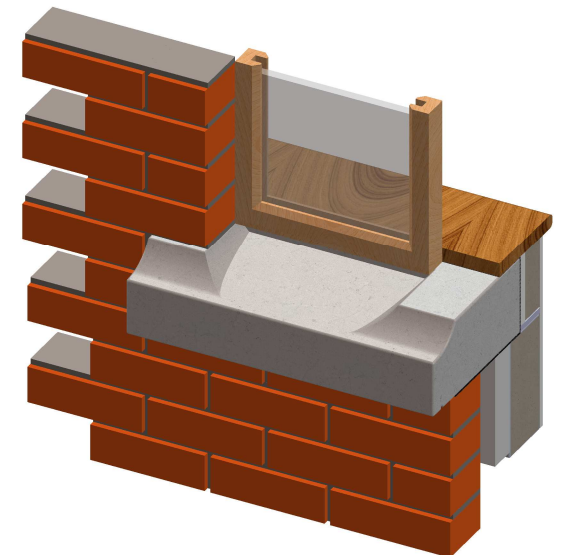
Approximate weight: 85 kgs/metre

Product reference code is SDS + sill size

Open size	Sill size
347	552
460	665
572	777
685	890
797	1002
910	1115
1022	1227
1135	1340
1247	1452
1360	1565
1472	1677
1585	1790
1697	1902
1810	2015
1922	2127
2035	2240
2147	2352
2260	2465
2373	2578
2485	2690



SECTION A-A
SCALE 1 : 12



All dimensions are in millimetres. For non listed sizes please contact

InGranite Recon LTD.

All vertical faces typically have a 4mm taper per 100mm of height.

The information contained in this drawing was correct at the time of going to print. Profiles, sizes and weights are given as indication only.



InGranite Recon Ltd.

Reconstituted Stone | Modern Material | Classic Style

UK info@ingranite.co.uk

www.ingranite.co.uk

0808 2349118

RoI info@ingranite.ie

www.ingranite.ie

057 9331462

Technical specification sheet

Title: Non stooled superwarm

Date: 09/02/2017

Ref: SWN...

Scale: 1:10

Drawn by: InGranite

Approximate weight: 76kgs/Metre

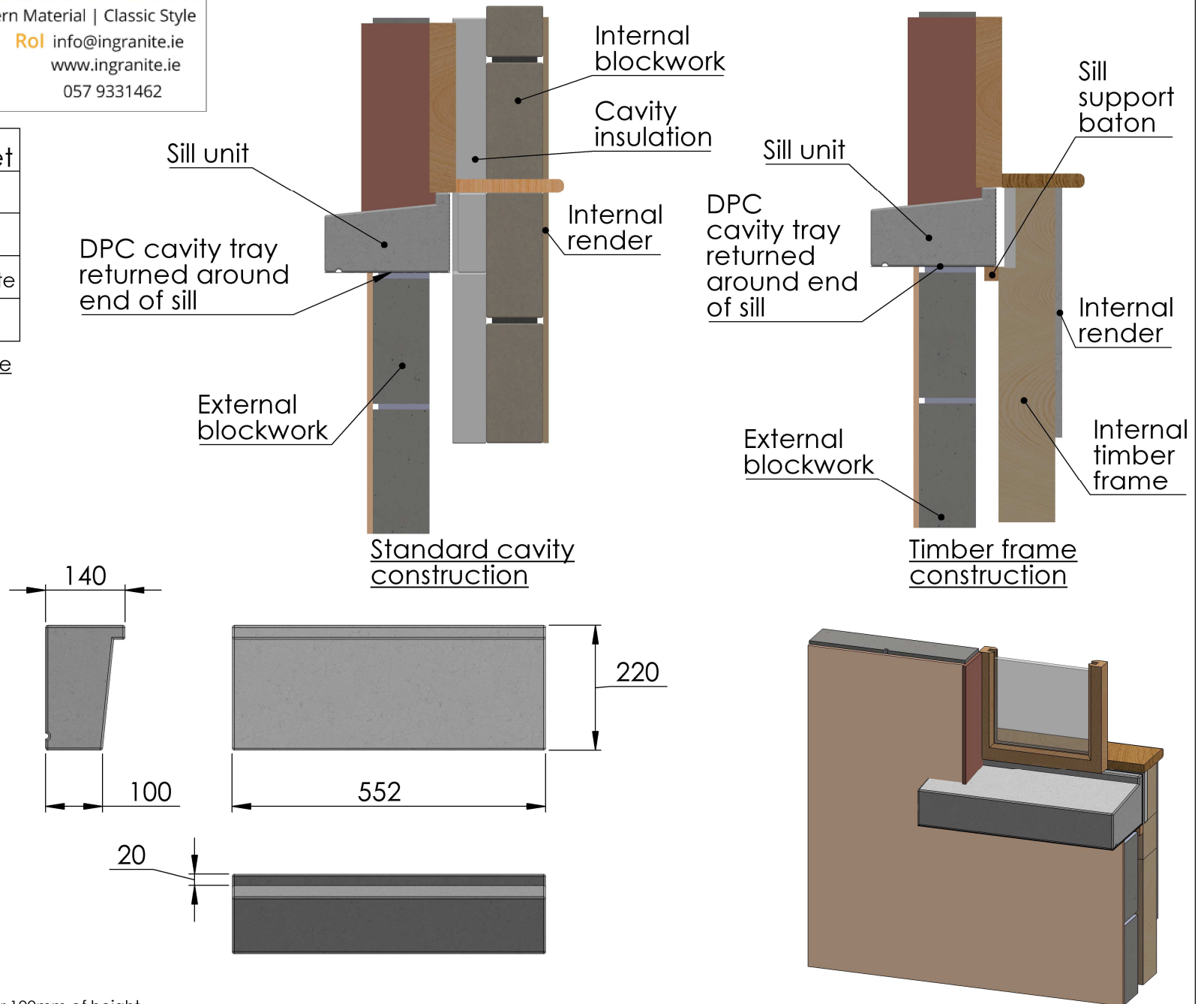
Product reference code is SWN + sill size

Open size	Sill size
347	552
460	665
572	777
685	890
797	1002
910	1115
1022	1227
1135	1340
1247	1452
1360	1565
1472	1677
1585	1790
1697	1902
1810	2015
1922	2127
2035	2240
2147	2352
2260	2465

All dimensions are in millimetres. For non listed sizes please contact InGranite Recon LTD.

All vertical faces typically have a 4mm taper per 100mm of height.

The information contained in this drawing was correct at the time of going to print. Profiles, sizes and weights are given as indication only.





InGranite Recon Ltd.

Reconstituted Stone | Modern Material | Classic Style

UK info@ingranite.co.uk

www.ingranite.co.uk

0808 2349118

RoI info@ingranite.ie

www.ingranite.ie

057 9331462

Technical specification sheet

Title: Superwarm stooled end sill

Date: 09/02/2017

Ref: SWS....

Scale: 1:10

Drawn by: InGranite

Approximate weight: 65 kgs/metre

Product reference code is

SWS + sill size

Open size	Sill size
347	552
460	665
572	777
685	890
797	1002
910	1115
1022	1227
1135	1340
1247	1452
1360	1565
1472	1677
1585	1790
1697	1902
1810	2015
1922	2127
2035	2240
2147	2352
2260	2465

All dimensions are in millimetres. For non listed sizes please contact InGranite Recon LTD.

All vertical faces typically have a 4mm taper per 100mm of height.

The information contained in this drawing was correct at the time of going to print. Profiles, sizes and weights are given as indication only.

External brickwork

Internal blockwork

Internal render

Cavity insulation

Sill unit

DPC cavity tray returned around end of sill

Standard cavity construction

External brickwork

Cold bridge insulation

Sill unit

Internal timber frame

DPC cavity tray returned around end of sill

Timber frame construction

